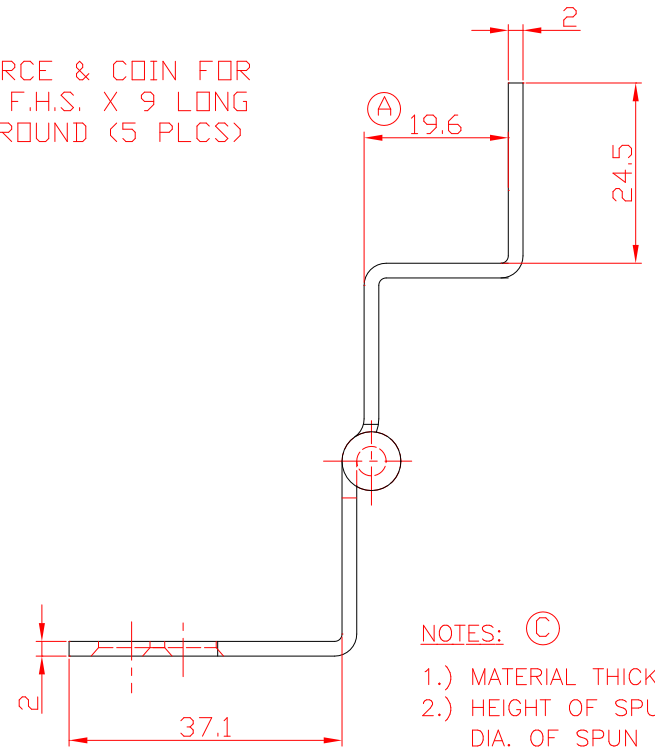
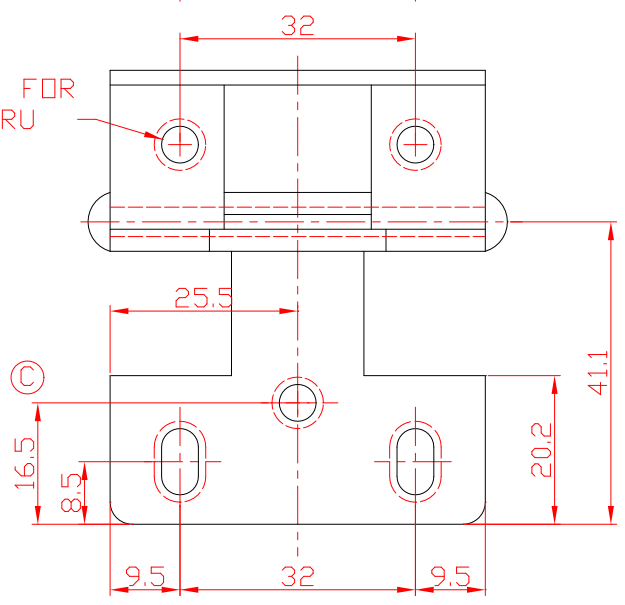


PIERCE & COIN FOR #5 F.H.S. X 9 LONG (5 PLCS)

SPIN HEAD BOTH ENDS (C)

PIERCE & COIN FOR #5 F.H.S. THRU (3 PLCS)



NOTES: (C)

- 1.) MATERIAL THICKNESS: $1.90 \pm .125$ mm
- 2.) HEIGHT OF SPUN HEAD: 3.5mm
DIA. OF SPUN HEAD: $7.9\text{mm} \pm .00$
SPUN HEADS MUST BE EQUAL WITHIN .25mm
.25 mm MAX. PLAY
PIN DIA. $3.85 \pm .13$
PIN MATERIAL: COLD DRAWN STEEL
- 3.) ALL DIM. ARE IN MM UNLESS STATED
- 4.) LEAF MATERIAL: COLD ROLLED STEEL

REV: C 01/05/02
REV: B 11/22/01
REV: A 10/23/01

DRAWN BY: John Lai	SCALE: 1/1	DATE: 10/17/01
UNLESS OTHERWISE SPECIFIED DIMENSIONS AND TOLERANCING ARE IN MILLIMETERS (INCHES)		
TOLERANCES		
.X ± .1		
.XX ± .03		
.XXX ± .005		

HARDWARE RESOURCES	
4319 MARLENA ST, BOSSIER CITY, LA 71111	
MATERIAL:	STEEL
PART NAME:	HEAVY DUTY HINGE
ITEM NO:	9975
PLATING:	SN